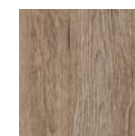




Front/Carcase, applications	Colour no.
Sanremo oak light colour, applications alpine white	A4J81
Sanremo oak light colour, applications lava grey	A4J71



Sanremo oak light colour



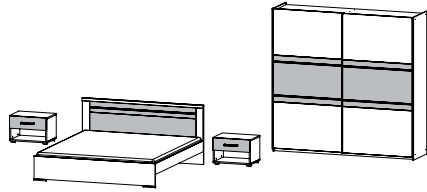
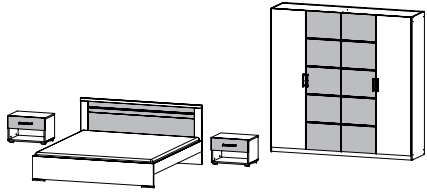
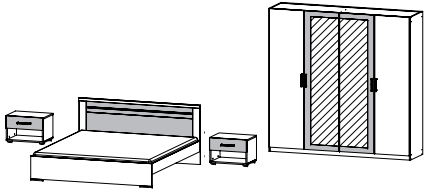
alpine white

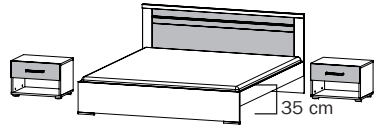
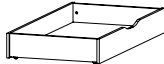


lava grey

■ Matching accessories can be found under the wordrobes.

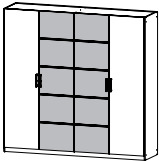
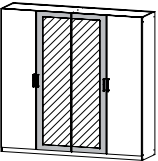
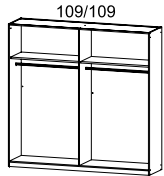
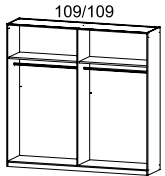
Front/Carcase, applications	Colour no.
Sanremo oak light colour, appl. alpine white	A4J81
Sanremo oak light colour, appl. lava grey	A4J71

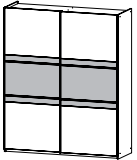
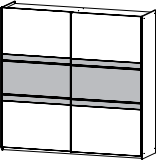
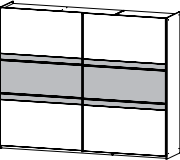
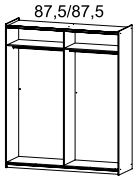
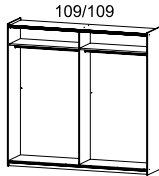

COMBINATIONS		Combination consisting of: wardrobe and bed combination		
PLEASE NOTE! Please enter the number of the desired bed size when ordering. example: Mod.-no. Art.-no. BG A0000 0000 60 (bed size 160 x 200 cm) A0000 0000 80 (bed size 180 x 200 cm)				
	Bed room 4 pieces - consisting of:	Bed room 4 pieces - consisting of:	Bed room 4 pieces - consisting of:	
	010V Bed combination	010V Bed combination	010V Bed combination	
	4211 Gliding door robe 2 doors ↔ 218 cm	4013 Hinged door robe 4 doors ↔ 218 cm	5012 Hinged door robe 4 doors/2 mirror doors ↔ 218 cm	
Article	010W	010X	010Y	

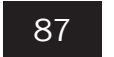
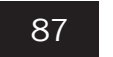






BEDS		Combination consisting of bed and 2 bedside tables. Drawers in application colour.		
				
	Bed combination		Bed box on castors	
	160/200 ↔ 265 cm ↓ 86 cm ↗ 206 cm BG 60			
	180/200 ↔ 285 cm ↓ 86 cm ↗ 206 cm BG 80		↔ 59 cm ↓ 16 cm ↗ 115 cm	
Article	010V	9901		

MATCHING PIECES		Drawers in application colour.		
				
	Combi chest			
	2 doors/2 drawers/2 shelves			
	↔ 100 cm ↓ 86 cm ↗ 37 cm			
Article	Price	6670		




Front/Carcase, applications	Colour no.
Sanremo oak light colour, appl. alpine white	A4J81
Sanremo oak light colour, appl. lava grey	A4J71
Texline (Line look in natural hues)	A0039



WARDROBES		Hinged door robes, middle doors in application colour.	
*Please note: For reasons of construction is at the element width 109 cm the shelf in the thickness of 2,2cm.			
			
	Hinged door robe 4 doors ↔ 218 cm ↓ 210 cm ↗ 54 cm	Hinged door robe 4 doors/2 mirror doors ↔ 218 cm ↓ 210 cm ↗ 54 cm	
Article	4013	5012	

WARDROBES		Gliding door robes, middle fields in application colour.		
*Please note: For reasons of construction is at the element width 109 cm the shelf in the thickness of 2,2cm.				
				
	Gliding door robe 2 doors ↔ 175 cm ↓ 210 cm ↗ 59 cm	Gliding door robe 2 doors ↔ 218 cm ↓ 210 cm ↗ 59 cm	Gliding door robe 2 doors ↔ 261 cm ↓ 210 cm ↗ 59 cm	
Article	4210	4211	4212	

EXTRAS		Shelves			
*Please note: For reasons of construction is at the element width 109 cm the shelf in the thickness of 2,2cm.					
					
	1 Shelf ↔ 85 cm ↓ 1,6 cm ↗ 45 cm	3 Shelves ↔ 85 cm ↓ 1,6 cm ↗ 45 cm	1 Shelf ↔ 107 cm ↓ 2,2 cm ↗ 45 cm	3 Shelves ↔ 107 cm ↓ 2,2 cm ↗ 45 cm	
Article	97W1	97W3	98W1	98W3	

Front/Carcase	Colour no.
Texline (Line look in natural hues)	A0039

EXTRAS		Clothes rails, door dampers		
	87	109		
				
	Clothes rail	Clothes rail	Gliding door dampers, set of 2	
	↔ 84 cm ↓ 3 cm ↗ 2 cm	↔ 106 cm ↓ 3 cm ↗ 2 cm	Cushions the door stop on the outer panels of the wardrobe.	
Article	9724	9762	9TDD	

EXTRAS		Drawer units and laundry division suitable for all wardrobe elements (width 87 and 109 cm).		
				
	Drawer unit	laundry division		
	with 2 drawers	universal		
	↔ 60 cm ↓ 39 cm ↗ 45 cm	↔ 45 cm ↓ 147 cm ↗ 45 cm		
Article	9846	9934		

EXTRAS				
Article				