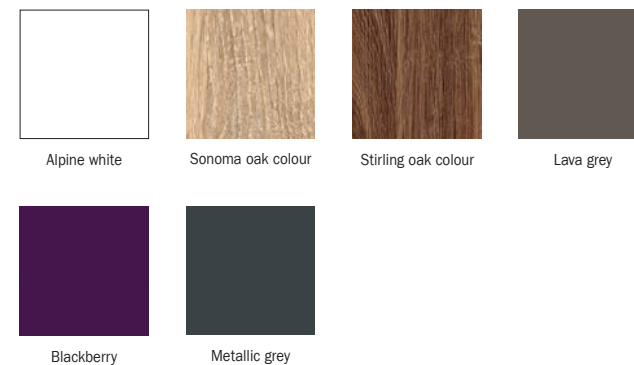




Front/carcase, applications	Colour no.
Sonoma oak colour, applications alpine white	A6M52
Sonoma oak colour, applications lava grey	A6M92
Stirling oak colour, applications metallic grey	AP552
Alpine white, applications metallic grey	A9452
Alpine white, applications blackberry	A9782



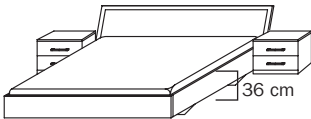
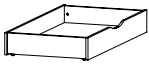
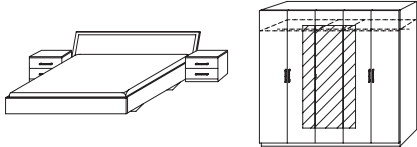
■ For information on extras available for wardrobes, see **ACCESSORIES PB**.


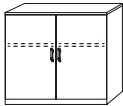
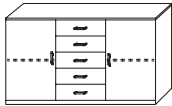
# TREVI

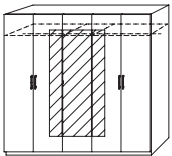
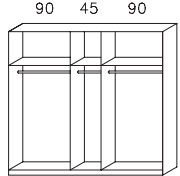
## PACK'S



Front/carcase, applications	Colour no.
Sonoma oak colour, applications alpine white	A6M52
Sonoma oak colour, applications lava grey	A6M92
Stirling oak colour, applications metallic grey	AP552
Alpine white, applications metallic grey	A9452
Alpine white, applications blackberry	A9782

BEDS		Bed combination consisting of futon bed and 2 bedside tables. Handles chrome coloured.							
						<p><b>NOTE!</b></p> <p>Please specify the number of the desired bed size.</p> <p>Lying area 160 x 200 cm - BG 60 180 x 200 cm - BG 80</p>			
		<b>Bed combination</b>		<b>Bedding box on rollers</b>				<b>Special offer set - consisting of:</b>	
		160/200 ↔ 265 cm ↓ 82 cm ↗ 213 cm <b>BG 60</b>						bed combination 0219, hinged door robe 5Z22	
		180/200 ↔ 285 cm ↓ 82 cm ↗ 213 cm <b>BG 80</b>		↔ 59 cm ↓ 16 cm ↗ 115 cm				Minimum order volume: 5 pieces	
<b>Article</b>		<b>0219</b>		<b>9901</b>				<b>0176</b>	

MATCHING PIECES									
									
		<b>Chest</b>		<b>Commode</b>		<b>Combi chest</b>			
		5 drawers		2 doors		2 doors, 5 drawers			
		↔ 50 cm ↓ 86 cm ↗ 38 cm		↔ 100 cm ↓ 86 cm ↗ 38 cm		↔ 149 cm ↓ 86 cm ↗ 38 cm			
<b>Article</b>		<b>6544</b>		<b>6519</b>		<b>6702</b>			

WARDROBES		Hinged door robe, mirror doors in application colour. Handles chrome coloured.							
For informations on extras available for wardrobes, see <b>ACCESSORIES PB</b> .									
		<b>Hinged door robe</b>							
		5-doors, 3 mirror doors							
		↔ 226 cm ↓ 210 cm ↗ 54 cm							
<b>Article</b>		<b>5Z22</b>							